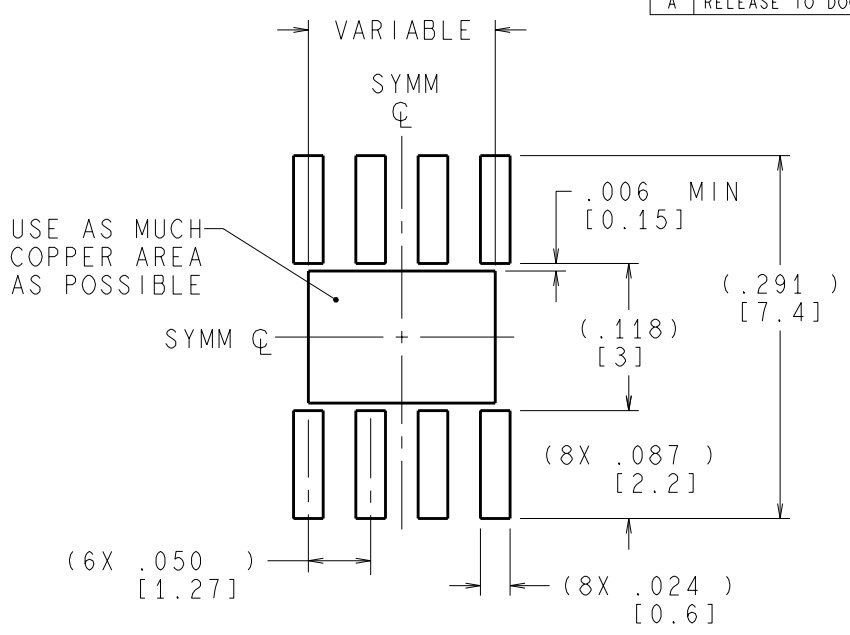
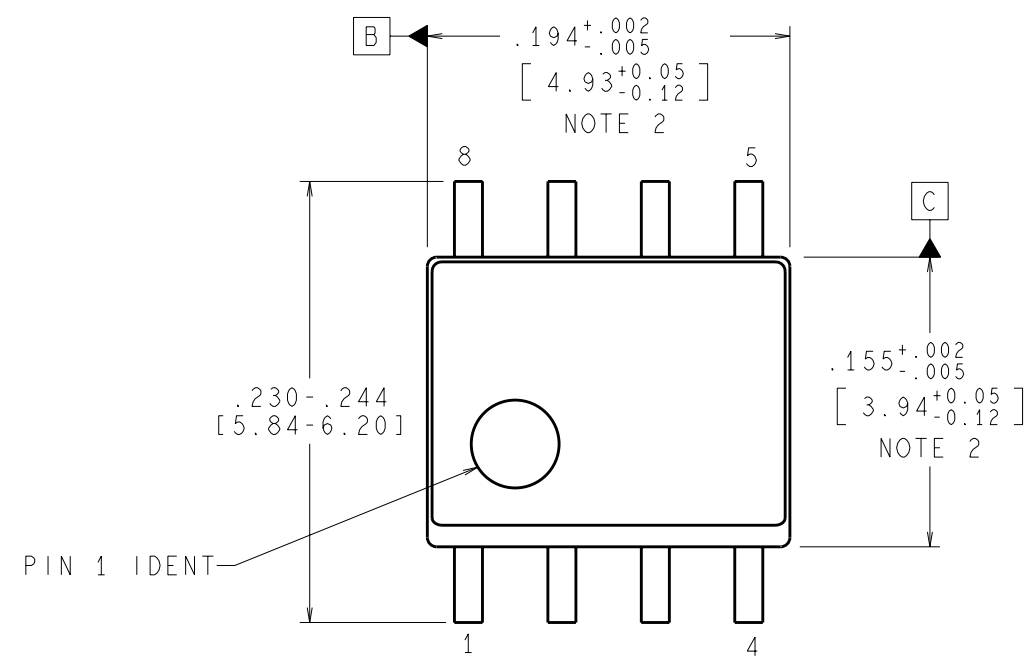
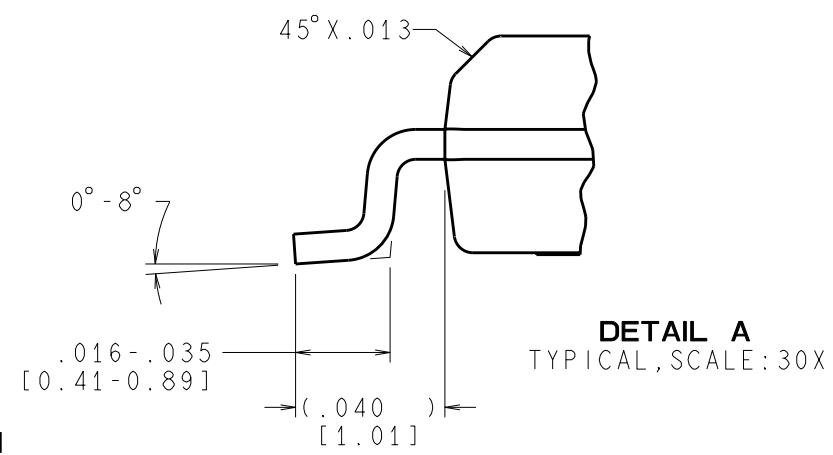
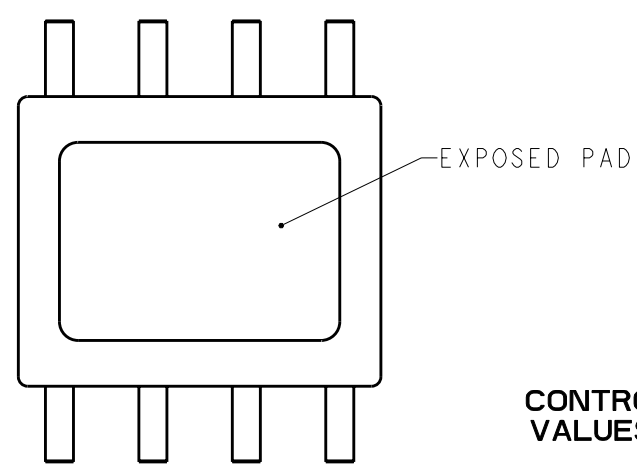
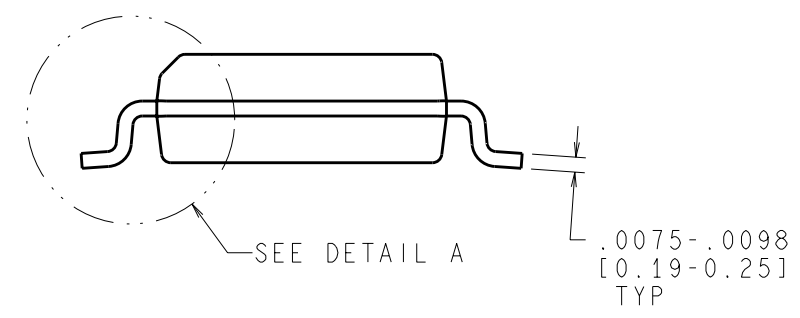
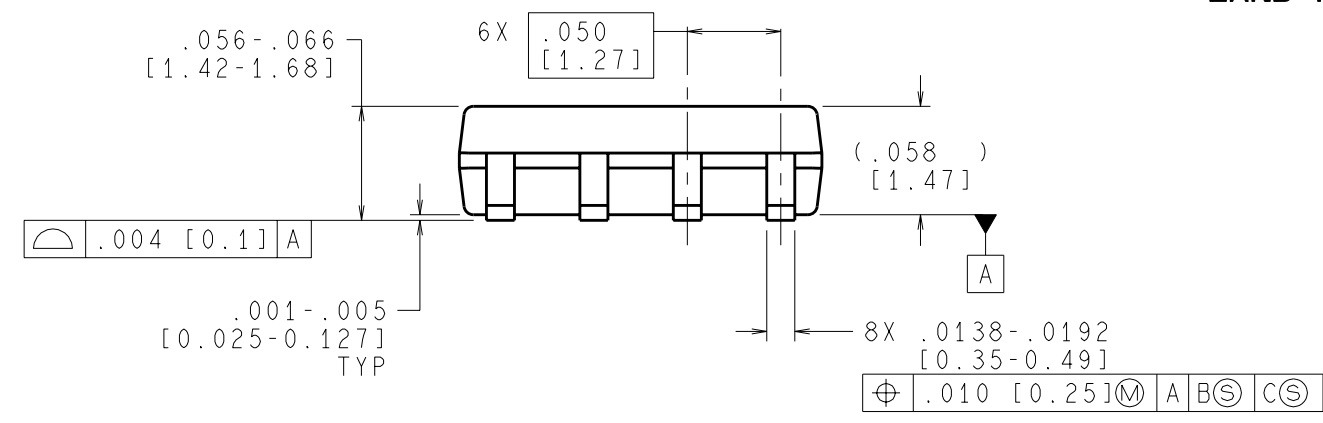


REVISIONS				
LTR	DESCRIPTION	E.C.N.	DATE	BY/APP'D
A	RELEASE TO DOCUMENT CONTROL	214	01/25/2001	MS/CD



LAND PATTERN RECOMENDATION



**CONTROLLING DIMENSION IS INCH
VALUES IN [] ARE MILLIMETERS**

- NOTES: UNLESS OTHERWISE SPECIFIED
- STANDARD LEAD FINISH TO BE 200 MICROINCHES/ 5.08 MICROMETERS MINIMUM LEAD/TIN(SOLDER) ON COPPER.
 - DIMENSION DOES NOT INCLUDE MOLD FLASH.
 - REFERENCE JEDEC REGISTRATION MS-012, VARIATION AA.

APPROVALS	DATE	National Semiconductor			
DRAWN MARTA SUCHY	01/25/2001	2900 Semiconductor Dr., Santa Clara, CA 95052-8090			
DFTG. CHK. THANH LEQUANG	01/25/2001	MOLDED, PSOP-2, .150 WIDE, 8 LEAD			
ENGR. CHK. CORNEL DEVERA	01/25/2001				
PROJECTION 		SCALE	SIZE	DRAWING NUMBER	REV
		N/A	C	(SC)MKT-MRA08A	A
DO NOT SCALE DRAWING				SHEET 1 of 1	